



Tech Tip

January 2023

TEM8 and TAM9 Heat Configuration Error Comfortlink II or 24V

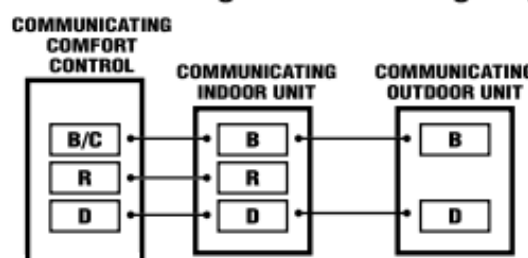


ERR123, CFG 8.05, EH CFG* ERROR, E 6.1, E6.2

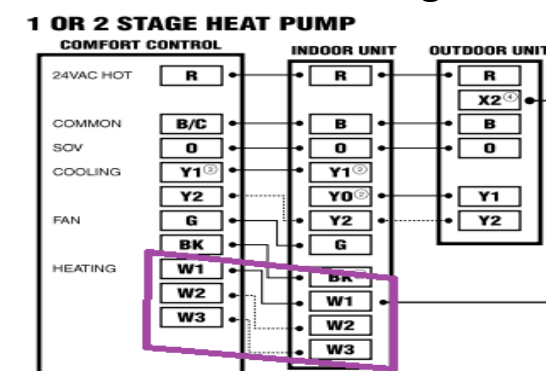
This tech tip will focus on 2 applications of TEM8 and TAM9 Air Handlers:

- Communication platform Comfortlink II(Clii)
- and
- 24V standard wiring

Comfortlink II(Clii) Communicating Controls Wiring Diagram



24V standard wiring



Comfortlink II – Heat Configuration error ERR 123, CFG 8.05

If these errors are present on the Clii control(TCONT850 or TZON1050). This means either the control or the indoor unit or even possibly both. Are not properly configured for electric heat stages/size(KW).

To identify heat stages for control, reference electric heater installation manual. [See reference charts for heater model to verify electric heat stage setting at control.](#)

TAM9

BAYEA ELECTRIC HEAT STAGE MATRIX									
Model No.	BAYEAC04BK1* BAYEAC04LG1*	BAYEAC05BK1* BAYEAC05LG1*	BAYEAC08BK1* BAYEAC08LG1*	BAYEAC10BK1* BAYEAC10LG1*	BAYEABC15BK1*	BAYEABC20BK1*	BAYEACC25BK1*	BAYEAAC10LG3*	BAYEABC15LG3*
Electric Heat Stages	1	1	2	2	3	3	3	1	1
Stage 1 Capacity (W1)(kW)	3.84	4.8	3.84	4.8	4.8	9.6	9.6	9.6	14.4
Stage 2 Capacity (W1+W2)(kW)	3.84	4.8	7.68	9.6	9.6	14.4	19.2	9.6	14.4
Stage 3 Capacity (W1+W2+W3)(kW)	3.84	4.8	7.68	9.6	14.4	19.2	24.0	9.6	14.4

TEM8

BAYHTR ELECTRIC HEAT STAGE MATRIX									
Model No.	BAYHTR1504BRK* BAYHTR1504LUG*	BAYHTR1505BRK* BAYHTR1505LUG*	BAYHTR1508BRK* BAYHTR1508LUG*	BAYHTR1510BRK* BAYHTR1510LUG*	BAYHTR1517BRK*	BAYHTR1523BRK*	BAYHTR1525BRK*	BAYHTR3510LUG*	BAYHTR3517LUG*
Electric Heat Stages	1	1	1	1	2	2	2	1	1
Stage 1 Capacity (W1)(kW)	3.84	4.8	7.68	9.6	9.6	9.6	12.0	9.6	14.4
Stage 2 Capacity (W1+W2)(kW)	3.84	4.8	7.68	9.6	14.4	19.2	24.0	9.6	14.4

Field Service Representative Contact

SW FL 239-277-0344; Option 3

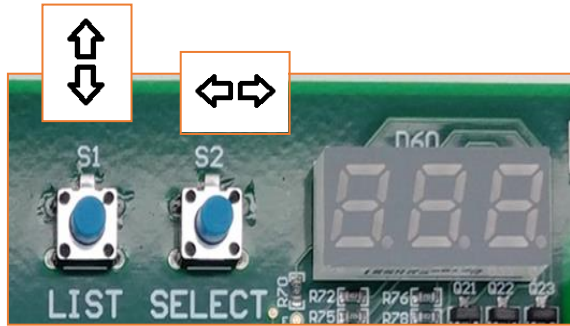
SE FL 954-421-7133; Option 2

N FL 844-358-7263; option 2

Tech Tip

January 2023

TEM8 and TAM9 Heat Configuration Error Comfortlink II or 24V ERR123, CFG 8.05, EH CFG* ERROR, E 6.1, E6.2



- ❖ Select is how you go through each menu
- ❖ List is how you go through each option
- ❖ Select is how you select the option

Technician Screens

- To Enter the technician menu section, press the Up/Down menu keys simultaneously for 10 seconds.

When setting the size heat(KW) at the TEM8 or TAM9 indoor air handler. You may have the **7 segment(SEG) display** on the **Airflow Control Board(AFC)** to utilize or when available use a **Communicating Display Assembly(CDA)**. Service facts for the equipment will be needed for understanding and navigating both displays.

Literature Order Number
TAM9-SF-1E-EN

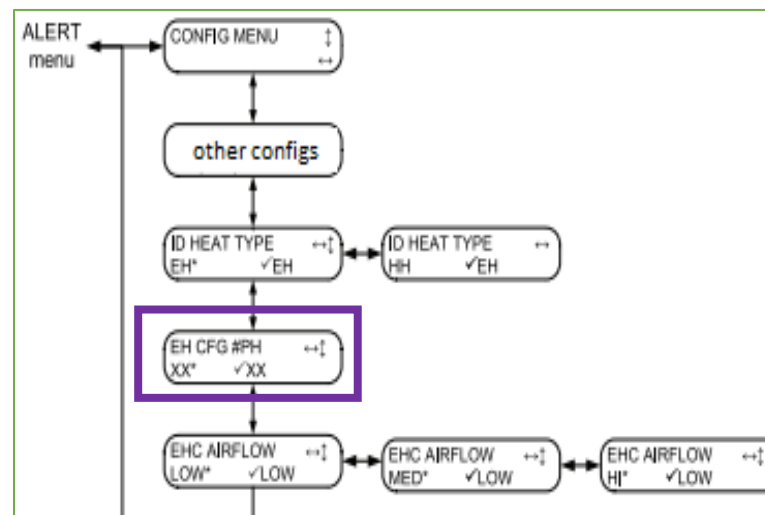
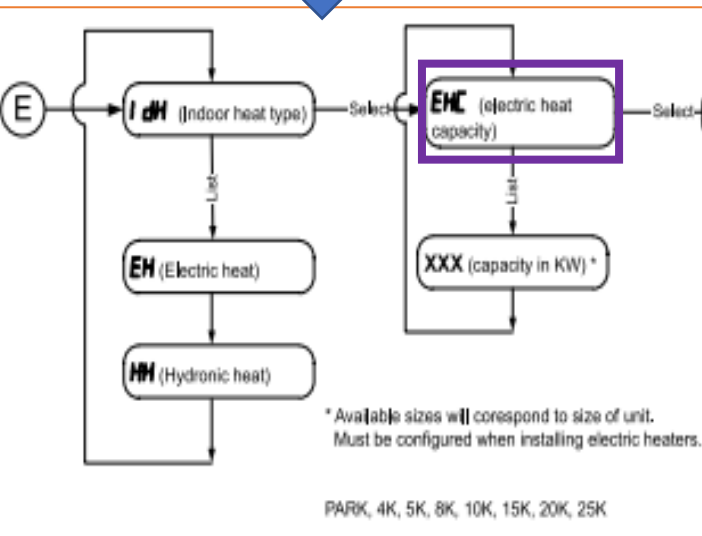
Literature Order Number
TEM8-SF-1G-EN

Navigate to **Electric Heat Capacity** which on the **7 SEG display** will be noted as **EHC** or on the **CDA** as **EH CFG #PH**. At that point go through options and select the appropriate size heater(KW).

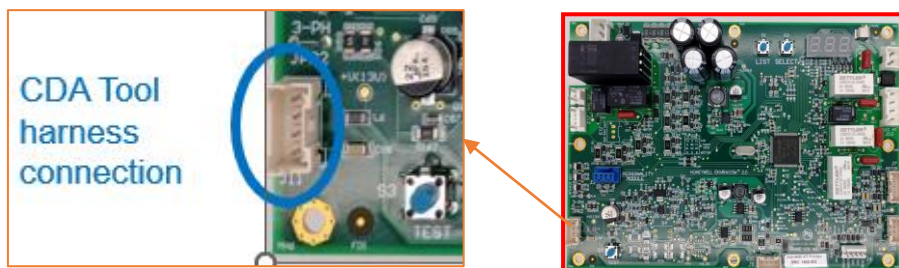
this must be done at startup of TEM8 or TAM9 installation regardless of application. ALSO, when the **AFC board** is replaced.

For more information on TEM8 and TAM9 models click the link below.

[Fieldtechhelp.com](https://fieldtechhelp.com): search TEM8 TAM9 videos and courses



TEM8 can also utilize a CDA for configuration or troubleshooting



TEM8 and TAM9 Heat Configuration Error Comfortlink II or 24V ERR123, CFG 8.05, EH CFG* ERROR, E 6.1, E6.2

24V standard wiring application, its important to know how many stages the heater is. As that will determine if you will wire to W1 or W1+W2 or W1+W2+W3.

TAM9 Model

5KW – wire to W1 only

8-10KW – wire to W1+W2

15KW or greater – wire to W1+W2+W3

TEM8 Model

5-10KW – wire to W1 only

15KW or greater – wire to W1+W2

If configuration does not match wiring, you will get E 6.1 or E 6.2 on the 7 seg display. On a CDA it will show alert EH CFG1 ERROR or EH CFG2 ERROR.

ALWAYS VERIFY WIRING AND SETTINGS WHEN INSTALLING NEW EQUIPMENT OR WHEN REPLACING MAIN BOARD IN A UNIT

TAM9

BAYEA ELECTRIC HEAT STAGE MATRIX									
Model No.	BAYEAAC04BK1* BAYEAAC04LG1*	BAYEAAC05BK1* BAYEAAC05LG1*	BAYEAAC08BK1* BAYEAAC08LG1*	BAYEAAC10BK1* BAYEAAC10LG1*	BAYEABC15BK1*	BAYEABC20BK1*	BAYEACC25BK1*	BAYEAAC10LG3*	BAYEABC15LG3*
Electric Heat Stages	1	1	2	2	3	3	3	1	1
Stage 1 Capacity (W1)(kW)	3.84	4.8	3.84	4.8	4.8	9.6	9.6	9.6	14.4
Stage 2 Capacity (W1+W2)(kW)	3.84	4.8	7.68	9.6	9.6	14.4	19.2	9.6	14.4
Stage 3 Capacity (W1+W2+W3)(kW)	3.84	4.8	7.68	9.6	14.4	19.2	24.0	9.6	14.4

TEM8

BAYHTR ELECTRIC HEAT STAGE MATRIX									
Model No.	BAYHTR1504BRK* BAYHTR1504LUG*	BAYHTR1505BRK* BAYHTR1505LUG*	BAYHTR1508BRK* BAYHTR1508LUG*	BAYHTR1510BRK* BAYHTR1510LUG*	BAYHTR1517BRK*	BAYHTR1523BRK*	BAYHTR1525BRK*	BAYHTR3510LUG*	BAYHTR3517LUG*
Electric Heat Stages	1	1	1	1	2	2	2	1	1
Stage 1 Capacity (W1)(kW)	3.84	4.8	7.68	9.6	9.6	9.6	12.0	9.6	14.4
Stage 2 Capacity (W1+W2)(kW)	3.84	4.8	7.68	9.6	14.4	19.2	24.0	9.6	14.4

