



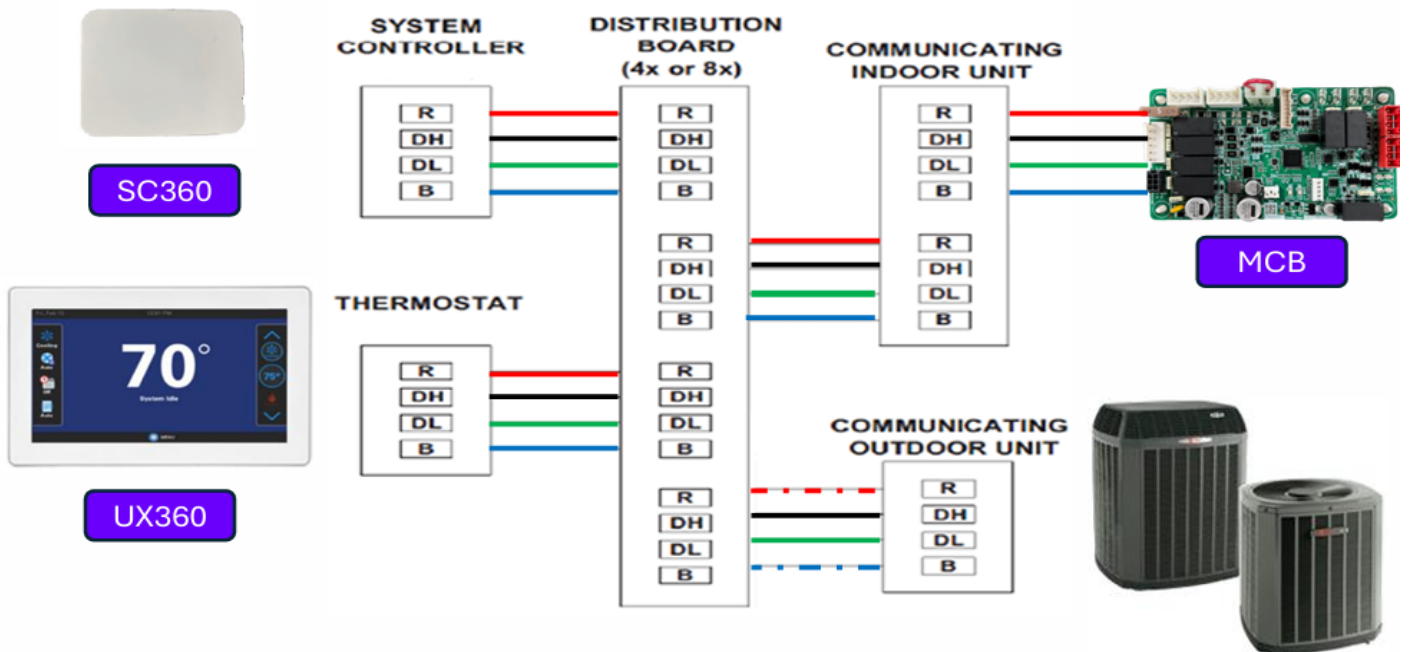
# Tech Tip

MAY 2026



## Link Install Procedures

Best practice for new Link installations. After setting new equipment in place, wire all high and low voltage wiring. Power up units and perform all required configurations, then continue with installation (brazing, evacuation, duct connections, cleanup, etc.). This process allows the installer time to identify and address any conditions that may need attention prior to startup. System Controller firmware must be 9.0 or greater for R454B equipment. Firmware updates can take up to 4 hours to be completed. These procedures are designed to provide installers with a more efficient and seamless experience when working with Link equipment, ultimately leading to greater customer satisfaction.



Field Service Representative Contact

Trane® Technician

1-844-358-7263



Symbio® Service & Installation